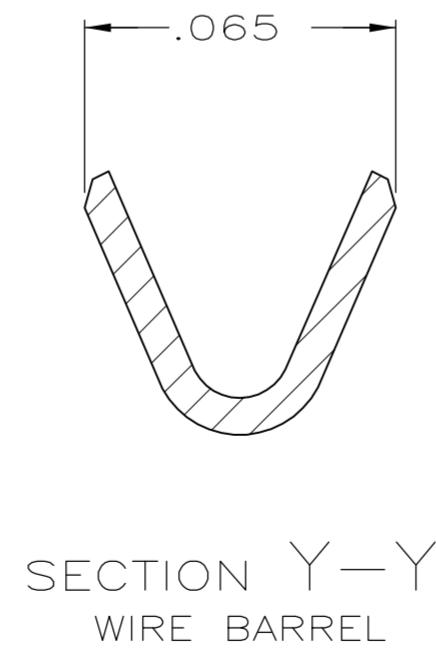
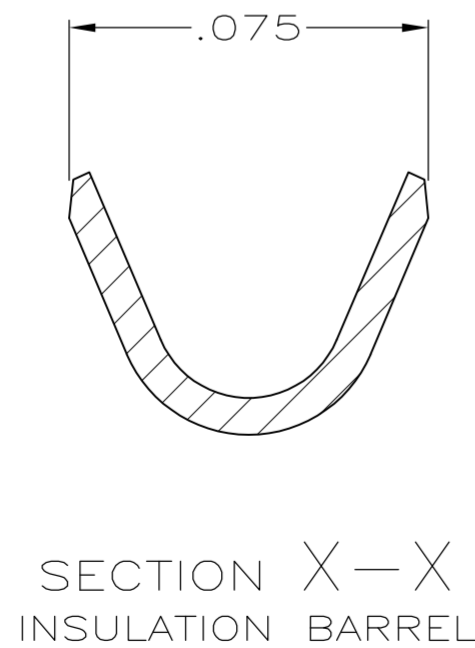
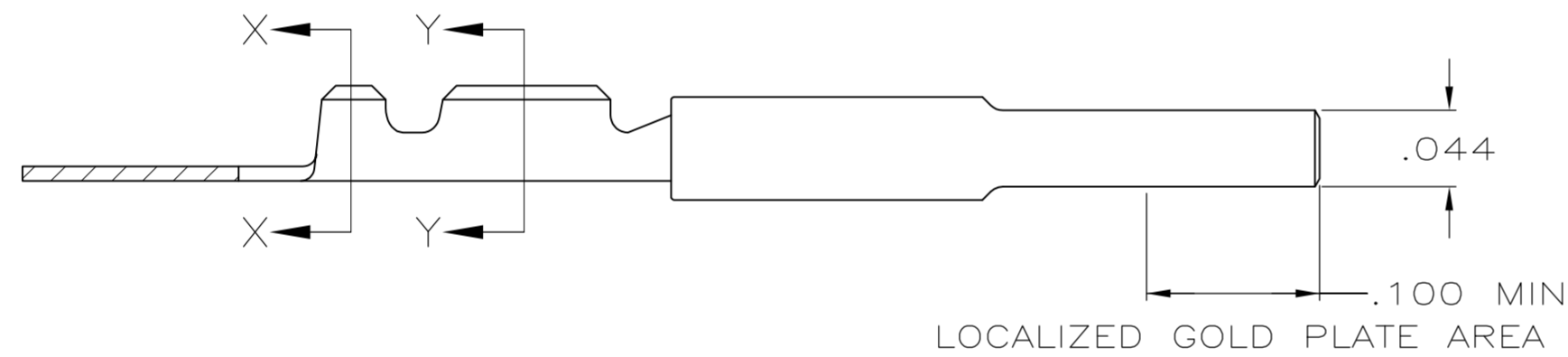
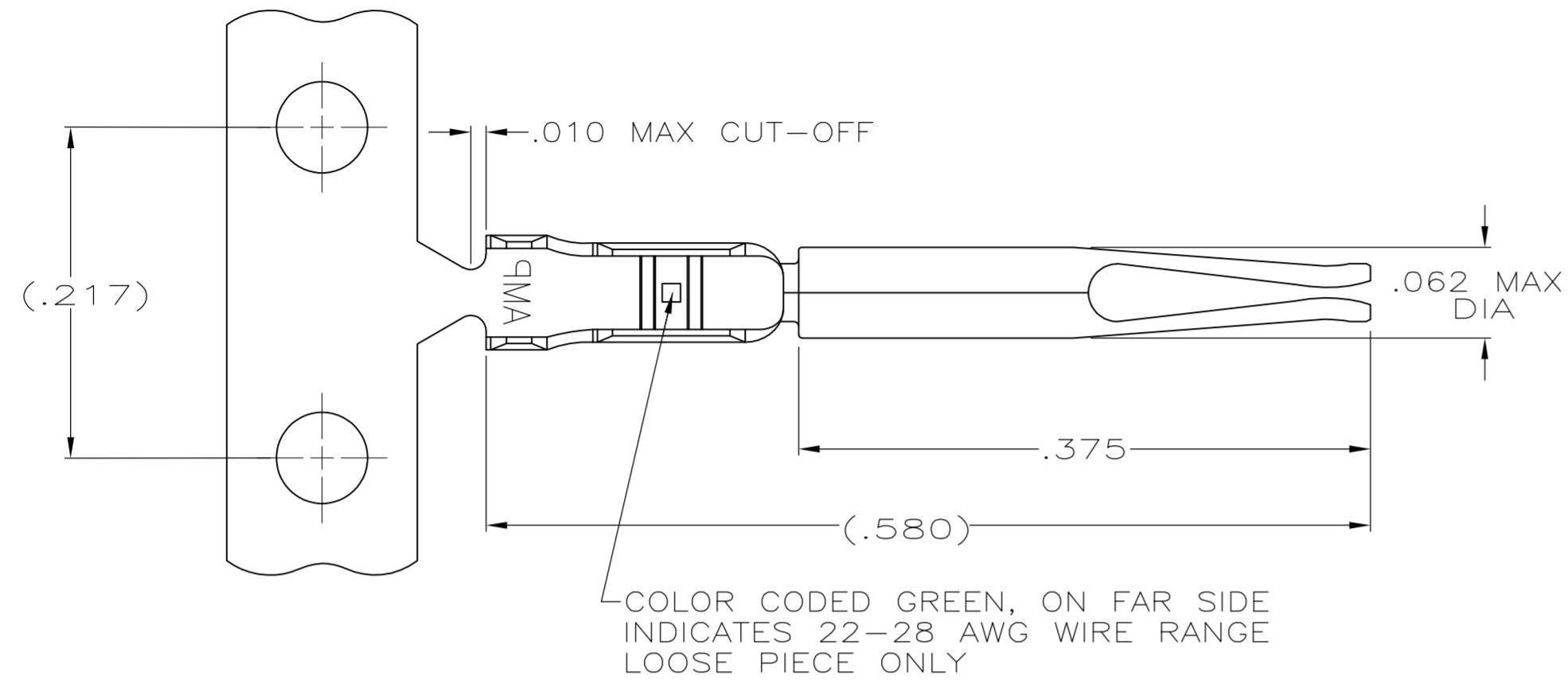


THIS DRAWING IS UNPUBLISHED. RELEASED FOR PUBLICATION
 © COPYRIGHT BY TYCO ELECTRONICS CORPORATION. ALL RIGHTS RESERVED.

LOC	DIST	REVISIONS					
GP	00	P	LTR	DESCRIPTION	DATE	DWN	APVD
		B		REVISED PER ECO-08-008111	30JUN2008	ZMRCWR	



- 1 FOR MINI APPLICATOR.
- 2 FOR HAND TOOL USE ONLY.
- 3. WIRE RANGE OF 22-28, INSULATION RANGE OF .030-.040.
- 4 .000050 MIN NICKEL UNDERPLATE ON ENTIRE CONTACT.
 .000100 MIN TIN ON WIRE AND INSULATION BARRELS. .000030 MIN GOLD ON LOCALIZED GOLD PLATE AREA.
 OR
 .000050 MIN NICKEL UNDERPLATE ON ENTIRE CONTACT,
 .000100 MIN TIN ON WIRE AND INSULATION BARRELS, GOLD FLASH OVER PALLADIUM-NICKEL, .000030 MIN TOTAL ON LOCALIZED GOLD PLATE AREA.
- 5 PLATED WITH GOLD FLASH IN LOCALIZED GOLD PLATE AREA,
 .000100 MIN. TIN ON WIRE BARRELS, OVER .000050 MIN. NICKEL UNDERPLATE.

5	1658686-4	1658686-3
4	1658686-2	1658686-1
FINISH	LOOSE PIECE 2	PART NUMBER 1

THIS DRAWING IS A CONTROLLED DOCUMENT.		DWN L. BAUM 02JAN04	Tyco Electronics Corporation Harrisburg, PA 17105-3608	
DIMENSIONS: INCHES		CHK S. BOLASH 02JAN04	NAME SOCKET CONTACT, 22-28 AWG, 22 DF, AMPLIMITE	
TOLERANCES UNLESS OTHERWISE SPECIFIED:		APVD M. WALMSLEY 02JAN04	PRODUCT SPEC 108-1268	
0 PLC ± -	1 PLC ± -	APPLICATION SPEC 114-10001	SIZE A2	CAGE CODE 00779
2 PLC ± -	3 PLC ± .005	WEIGHT -	DRAWING NO C=1658686	RESTRICTED TO -
4 PLC ± -	ANGLES ± 2°	MATERIAL PHOS BRONZE	SCALE 10:1	SHEET 1 of 1
FINISH SEE TABLE		CUSTOMER DRAWING		REV B